



LZW/WB/LZWH/LZWD Micro Flow Metal Tube flowmeter

■ Summary

LZW/WB,LZWH is metal tube flowmeter,feature with strong,stable and widely usage.LZW/WB series can be equip with self-operation pressure regulator(Galvanostat). LZW/LZWB horizontal installation.LZW without valve,LZWB with valve. LZWH vertical installation,without valve. LZWD column display,output 4-20mA current signal,with Hart communication protocol. Power supply is 24V DC,electric interface M16x1.5.

■ Profile Drawing

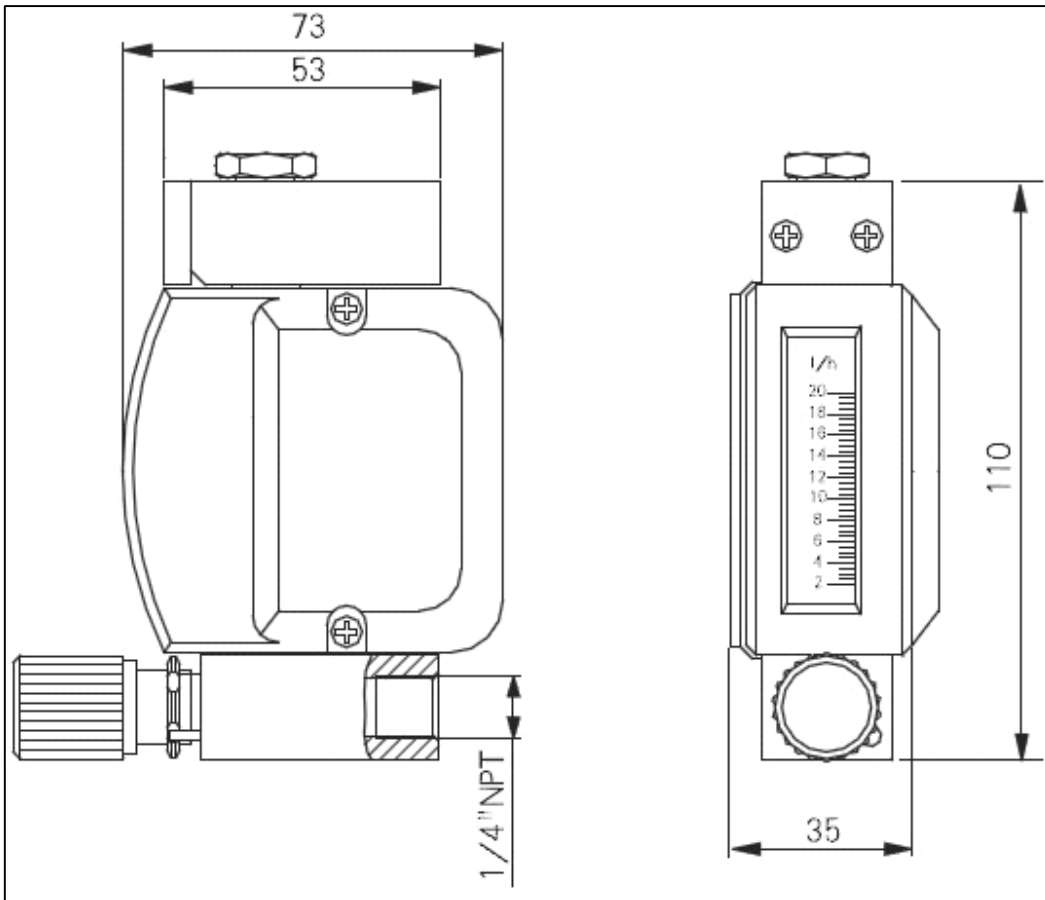


Fig.1 LZW/LZWB

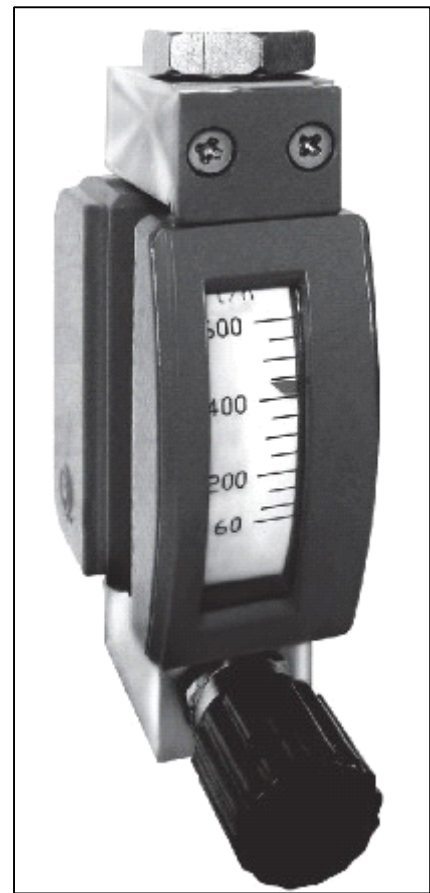


Fig.2



METAL TUBE FLOWMETER

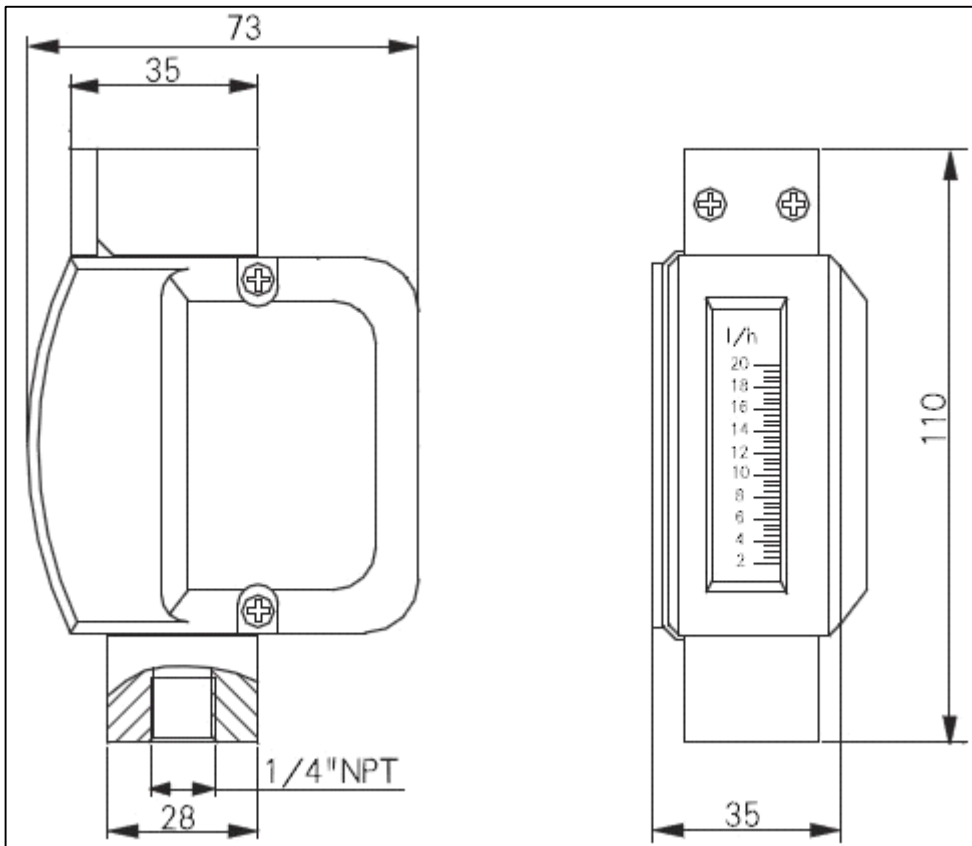


Fig.3 LZWH



Fig.4

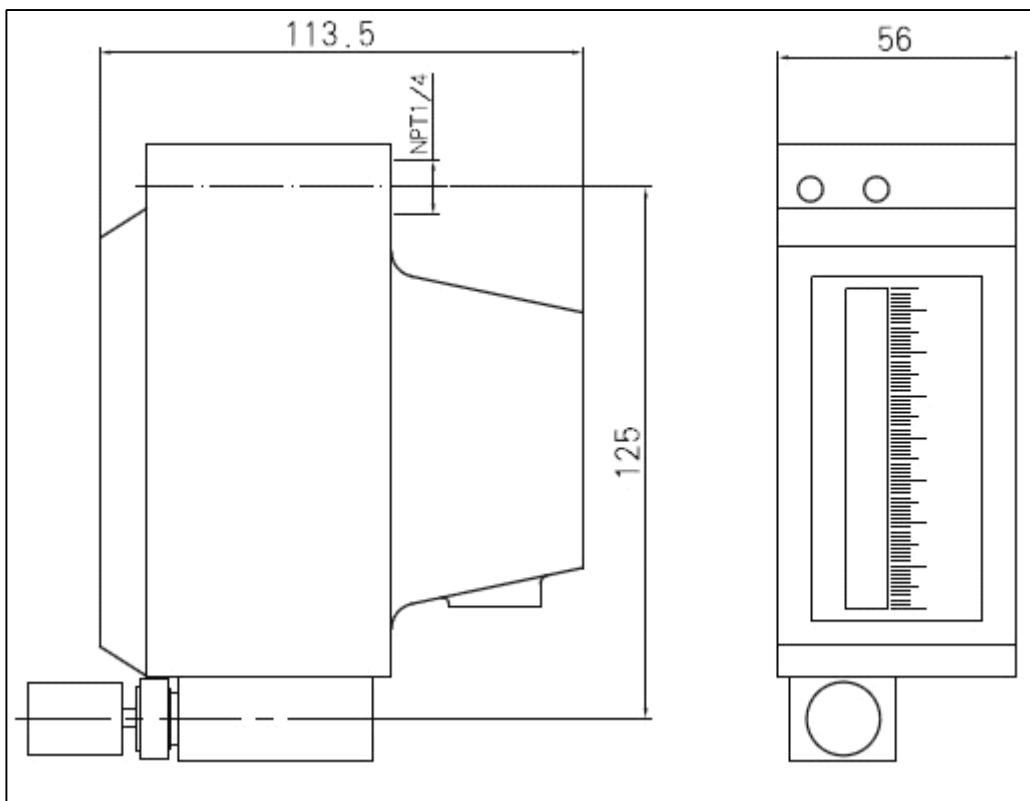


Fig.5 LZWD

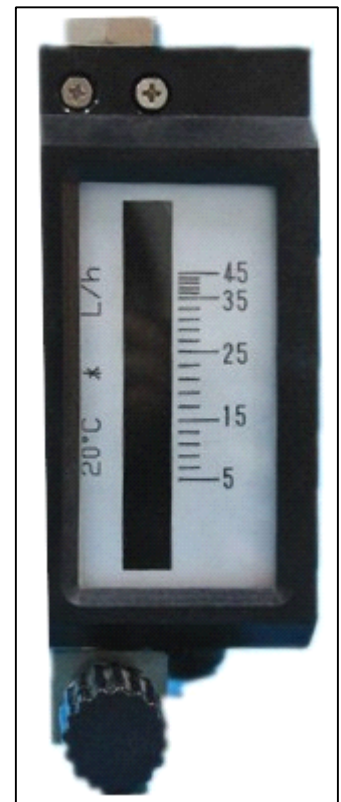


Fig.6

CHANGZHOU CHENGFENG FLOWMETER CO.,LTD

No.15,Qinglong Tongjia Industrial Park,Changzhou,Jiangsu Prov.,China

Tel:86-519-85327611,

Fax:86-519-85505269

Email:sales@qf-meter.com,

Http://www.qf-meter.com

**■ Technical Parameter**

Table 1	
Flow Range	Medium Temperature:-40~150deg.C
Water:20 deg.C 6L/H-100L/H	Ambient Temperature:-25~65deg.C
Air:20 deg.C 101325Pa 50L/H-3400L/H	Connection:1/4NPT female or swagelok ϕ 8(ϕ 6 and so on)
Flow Ratio:10:1 or 5:1	Material:stainless steel base
Accuracy:4% FS	Indicator body:Cast Aluminium, injection modeling
Max. Pressure:2.5MPa(can be customized)	Taper and floater:stainless steel

■ Flow Range

Table 2			
Taper Model	Water(L/H)	Air(L/H)	Pressure Loss(kPa)
W01	-	50	1.2
W02	-	100	1.4
W03	6	150	1.5
W04	10	400	1.8
W05	25	800	3.5
W06	40	1250	6.5
W07	60	2000	13.0
W08	80	2500	23.5
W09	100	3400	40.0

Notes: Full scale flow range show in the table;

Calculation condition: water 20 deg.C; air 20 deg.C, 101325Pa.

CHANGZHOU CHENG FENG FLOWMETER CO.,LTD

No.15,Qinglong Tongjia Industrial Park,Changzhou,Jiangsu Prov.,China

Tel:86-519-85327611,

Fax:86-519-85505269

Email:sales@qf-meter.com,

Http://www.qf-meter.com